

Installation guidelines for Edge Grips (ATCS20251, ATCS20321, ATCS25382 and ATCS25383)

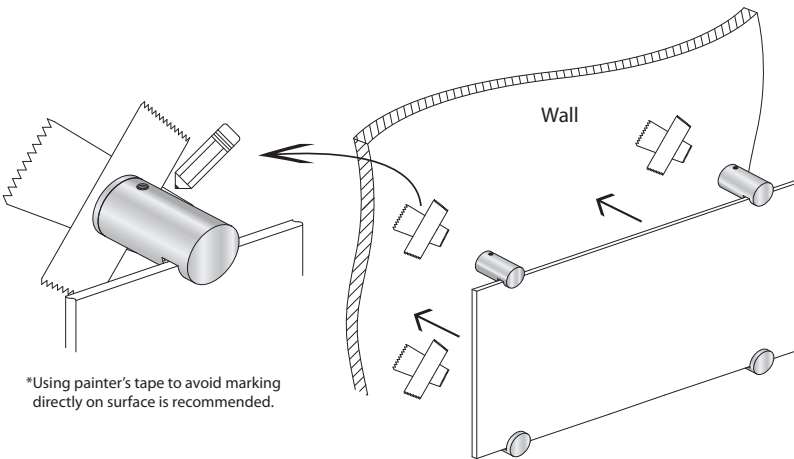
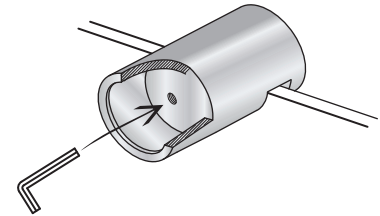
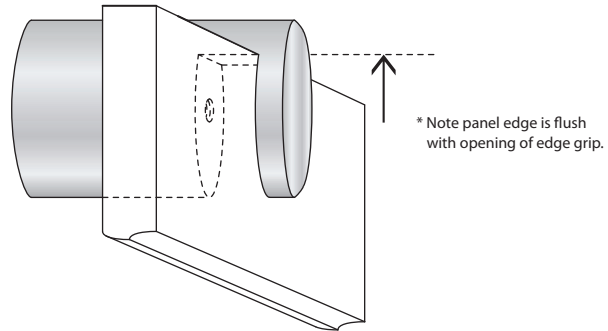
Edge Grips

****Always check the installation surface to ensure that the substrate will be strong enough to hold the weight of the panel. All installation must be done so with proper hardware and protective gears to ensure safety.**

1) With the panel prepped and ready for installation, install the edge grips on the panels. (Marking the grip locations on the panel is recommended).

The panel needs to sit as far into the opening as possible. Tighten the M4 set screw located inside the edge grip, without completely flattening the nylon tips, after aligning the panels inside the edge grips.

Repeat until all edge grips are mounted on the panel.



2) With all grips mounted securely on the panel. Using the panel/grips as a template, mark the point on the installation surface for drilling.

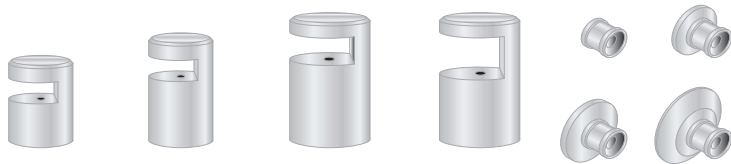
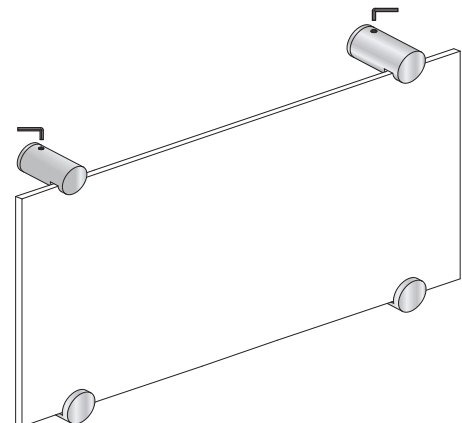
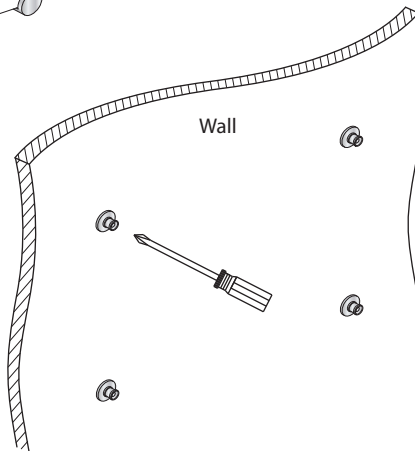
3) Install wall anchors. Use proper installation hardware.

- Wood screw with anchor for drywall/plaster
- Toggle bolt or screw with wall anchor for concrete

4) After the anchors are mounted to the wall, slide the grips/panel onto the anchors. Tighten the outside M4 set screw once all grips are seated flush against the anchors.

It might be easier to gently tighten the set screws first to hold the grips/panel in place before going back to the set screws to completely tighten them.

It is important to check that parts are properly tightened at the end of each installation.



* Installation instructions apply to any of the sizes that are available.